



SPECIALIST SHELVING

A vast selection of specialist shelving and fittings to satisfy the more niche retail display solution. Inclusive of metal and acrylic shelves, the specialist options we offer can be completely bespoke one-offs or a more standardised solution.

SPECIALIST SHELVINGS & FITTINGS



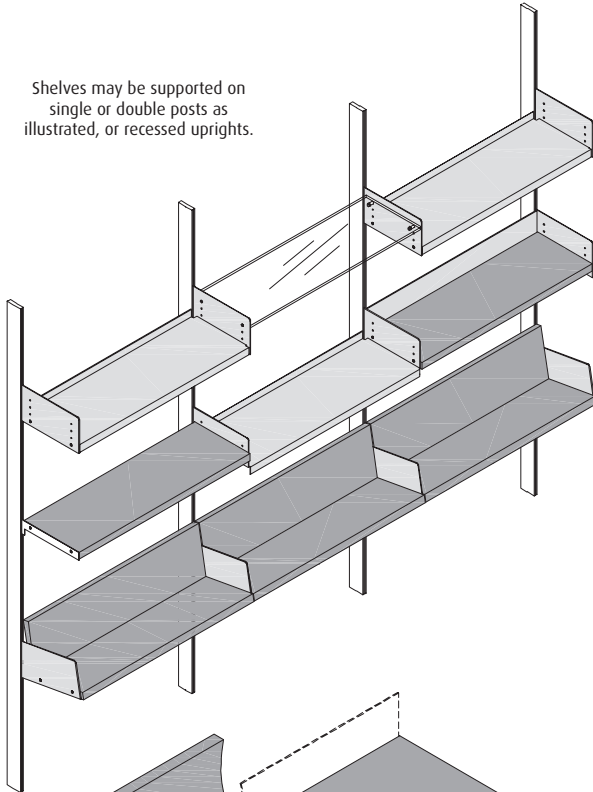
Section F (F.01)

F.01 - Specialist Shelving

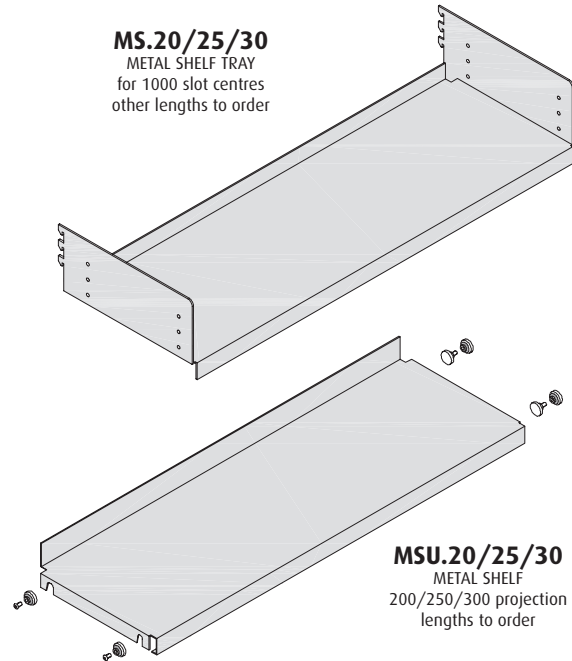
F.01 SPECIALIST SHELVING

Our selection of specialist shelving options aim to satisfy the more niche retail display requirements. A selection of products to help envisage a solution that would suit your project perfectly, including folded metal bookshelves and acrylic trays, can be seen illustrated below. All of our specialist shelving options are designed to be used within Peerless systems to help promote a collective product range. Specialist products and fittings are made to order due to the often custom nature of the items.

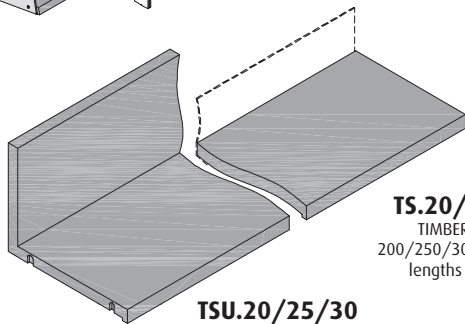
Shelves may be supported on single or double posts as illustrated, or recessed uprights.



MS.20/25/30
METAL SHELF TRAY
for 1000 slot centres
other lengths to order

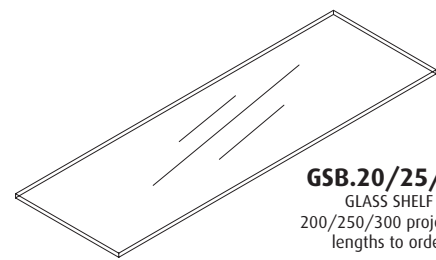


MSU.20/25/30
METAL SHELF
200/250/300 projection
lengths to order



TS.20/25/30
TIMBER SHELF
200/250/300 projection
lengths to order

TSU.20/25/30
TIMBER SHELF
200/250/300 projection
with rear upstand

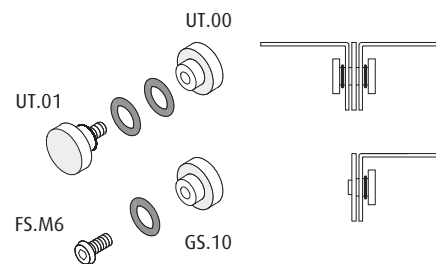


GSB.20/25/30
GLASS SHELF
200/250/300 projection
lengths to order

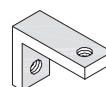
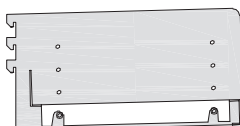


BBL.20/25/30
BOOK END BRACKET
LEVEL
200/250/300 projection
to be used with timber
or metal shelf

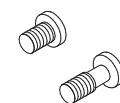
BAB.20/25/30
BOOK END BRACKET
10° UPRAKE
200/250/300 projection
to be used with timber
or metal shelf



METAL SHELF TOGGLES
UT.00 - CAPPED TOGGLE
UT.01 - CAPPED DOUBLE TOGGLE
for use with FS.M6 screws and
GS.10 washers



US.07
RECTANGULAR
SHELF CLIP
reversible



FS.M6/DS.M6
SINGLE / DOUBLE
LOCKING SCREWS