



Peerless[™]
Merchandising Display Systems

LIGHTBOXES

Peerless[™] Lightboxes engineered by **assigns**
Graphic Display Systems

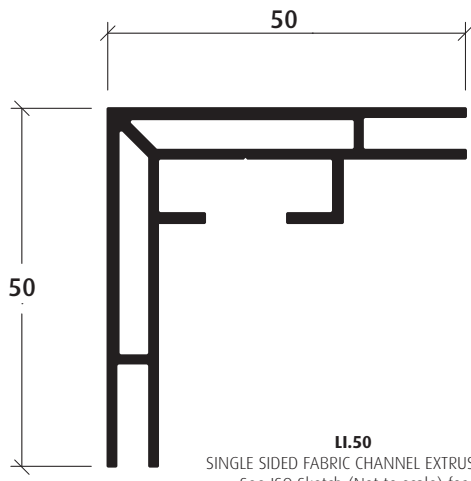
Engineered components for retail display

www.peerlessdesigns.com

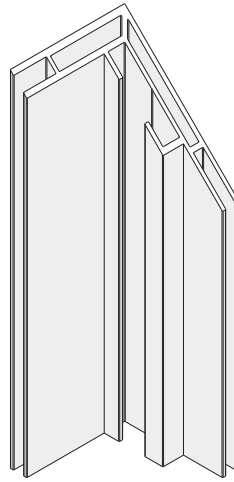


A.11 Lightbox 50

Our range of fabric fronted lightbox profiles are perfect for any store interior, adding a splash of colour to surplus wall space, or making a statement with an eye-catching, freestanding option. With our sister company Assigns' expertise, we have a high quality lightbox to suit all requirements. The most elegant of our offerings, the LIGHTBOX 50, is a single sided fabric frame suitable for wall mounting applications. This aluminium profile utilises backlit LED lighting, with an equal light spreading which gives a perfect illumination to your printed fabric.



L1.50
SINGLE SIDED FABRIC CHANNEL EXTRUSION
See ISO Sketch (Not to scale) for
mitre detail

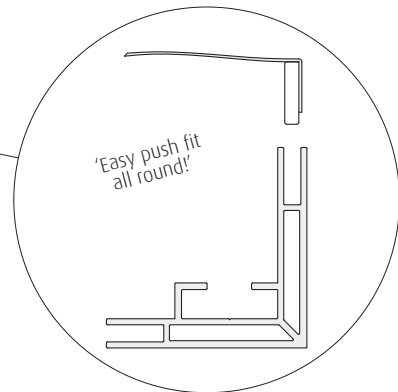
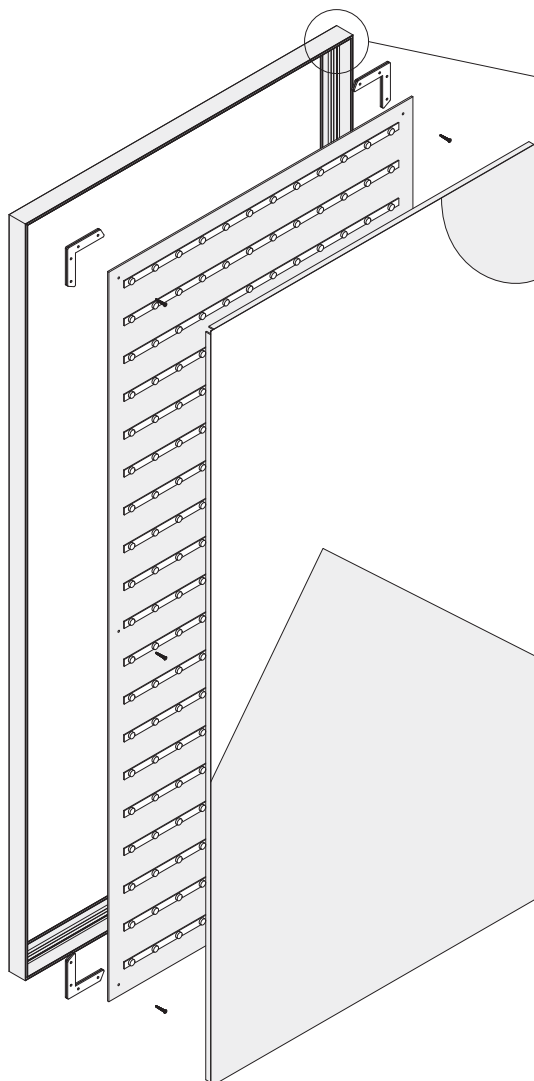


Specification Detail

APPLICATION:	Wall
WIDTH:	50mm
EXTRUSION LENGTH:	6150mm
WEIGHT:	0.968 kilo p/m
LIGHTING:	LED on Dibond

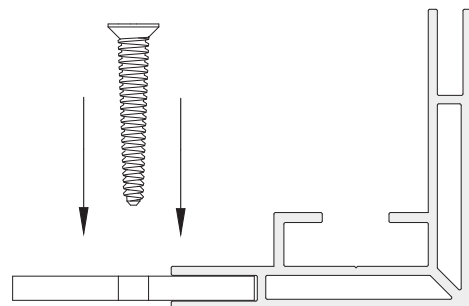
Available Finishes

As standard all of our profiles are available in a silver anodised finish. A range of other bespoke finishes are available including standard powder coating colours on request.



All lightboxes offered by Peerless are for in store use and utilise the plug & play versatility of a tensioned, fabric graphic system. These graphics have a rubber edging stitched to all four sides, and can be changed extremely easily by store staff, without the need for specialist tools or skilled contractors. See above.

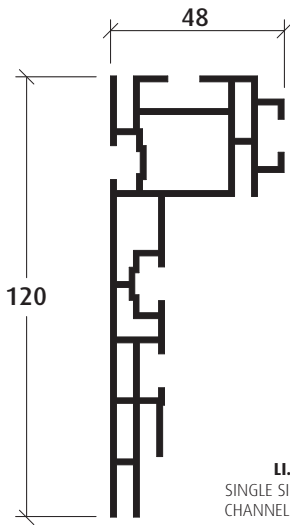
LIGHTBOX 50 is a backlit lightbox. Wide angle power LEDs are affixed to the rear Dibond panel and flood the carcass with light to ensure that there is a quality and even spread of illumination for your printed graphic.



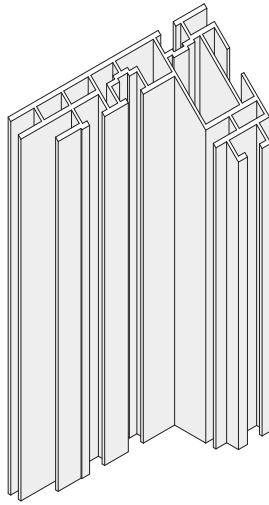
Wall mounting this lightbox couldn't be easier, simply drill the dibond in desired locations and affix to the wall with a set of suitable wall fixing for your application.

A.12 Lightbox 120

The Peerless LIGHTBOX 120 is the perfect solution for larger lightbox requirements. This versatile profile is side lit using power LEDs to illuminate your printed fabric graphic brightly and evenly, and its robust 120mm depth makes it perfect for wall mounted and freestanding applications. There is also a specifically designed hanging kit available if required.



LL.120
SINGLE SIDED FABRIC
CHANNEL EXTRUSION

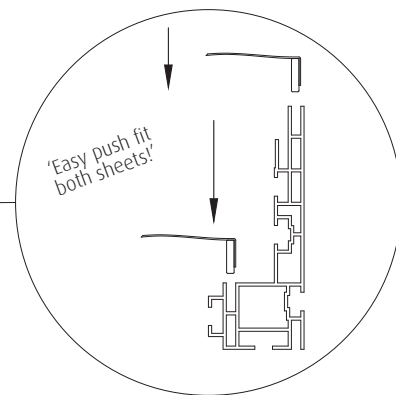


Specification Detail

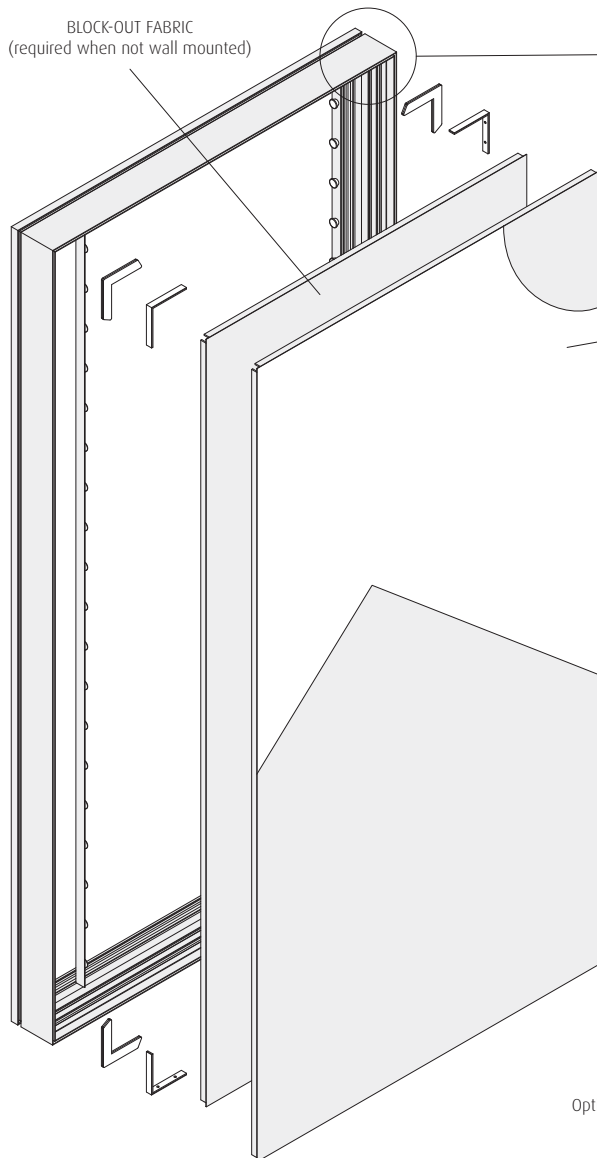
APPLICATION:	Wallmount, freestanding or suspended from the ceiling
WIDTH:	120mm
EXTRUSION LENGTH:	6150mm
WEIGHT:	2.221 kilo p/m
LIGHTING:	Power LEDs on longest sides

Available Finishes

As standard all of our profiles are available in a silver anodised finish. A range of other bespoke finishes are available including standard powder coating colours on request.

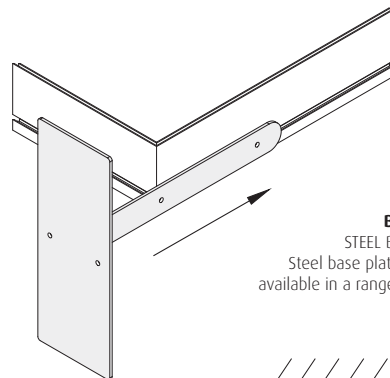


BLOCK-OUT FABRIC
(required when not wall mounted)

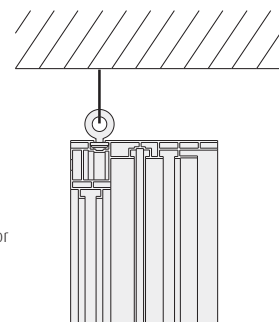


PRINTED FRONT GRAPHIC

LIGHTBOX 120 is a sidelit lightbox. A strip of self adhesive Power LEDs is affixed to the two longest sides of the aluminium profile and floods the carcass with light to ensure that there is a quality and even spread of illumination onto your printed graphic.



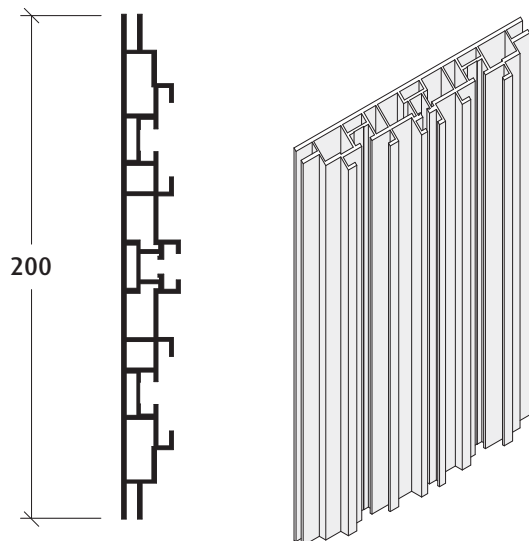
BP.40
STEEL BASE PLATE
Steel base plate with fixing holes available in a range of finishes on request



HS.01
HANGING SUPPORT HOOK
Optional hanging hook designed specifically for lightbox to be suspended from ceiling

A.13 Lightbox 200

The largest and most robust in our range of fabric lightboxes, the LIGHTBOX 200 utilises an aluminium profile 200mm in width specifically designed for illuminating large format printed fabric graphics on both sides. This skillfully engineered aluminium profile means the lightbox is suitable for both hanging or standing applications, with the addition of various optional extras.



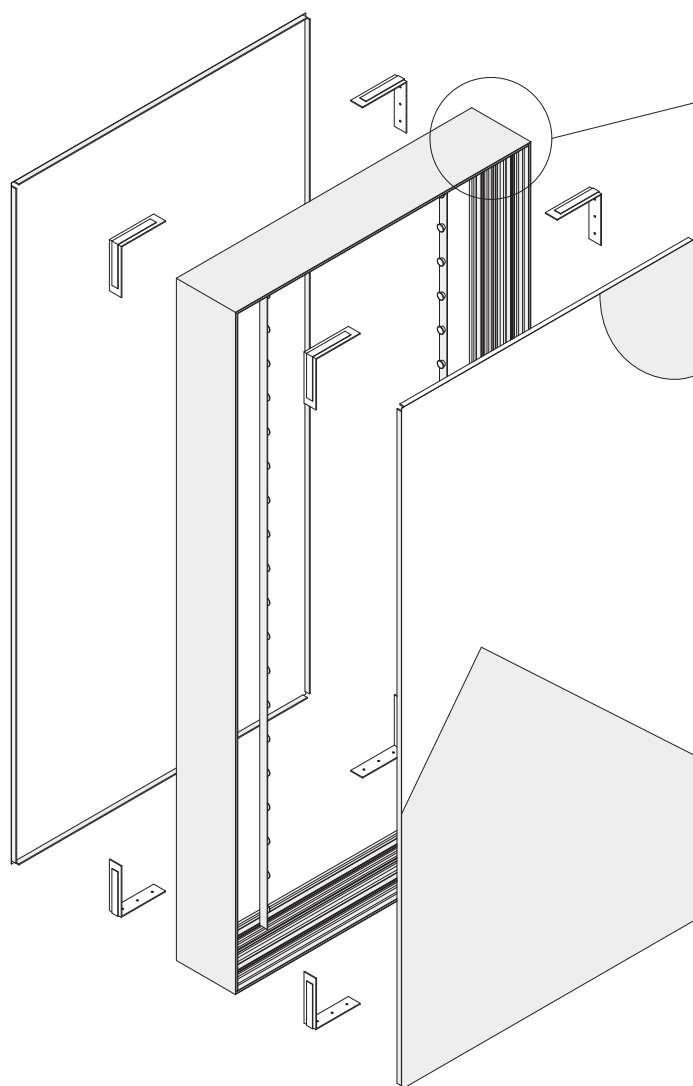
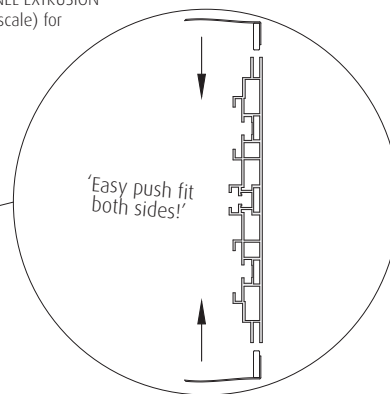
Specification Detail

APPLICATION:	Freestanding / Ceiling suspended
WIDTH:	200mm
EXTRUSION LENGTH:	6150mm
WEIGHT:	3.215 kilo p/m
LIGHTING:	Power LEDs on longest sides

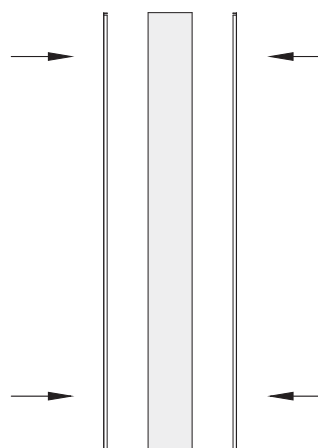
Available Finishes

As standard all of our profiles are available in a silver anodised finish. A range of other bespoke finishes are available including standard powder coating colours on request.

LI.200
DOUBLE SIDED FABRIC CHANNEL EXTRUSION
See ISO Sketch (Not to scale) for mitre detail

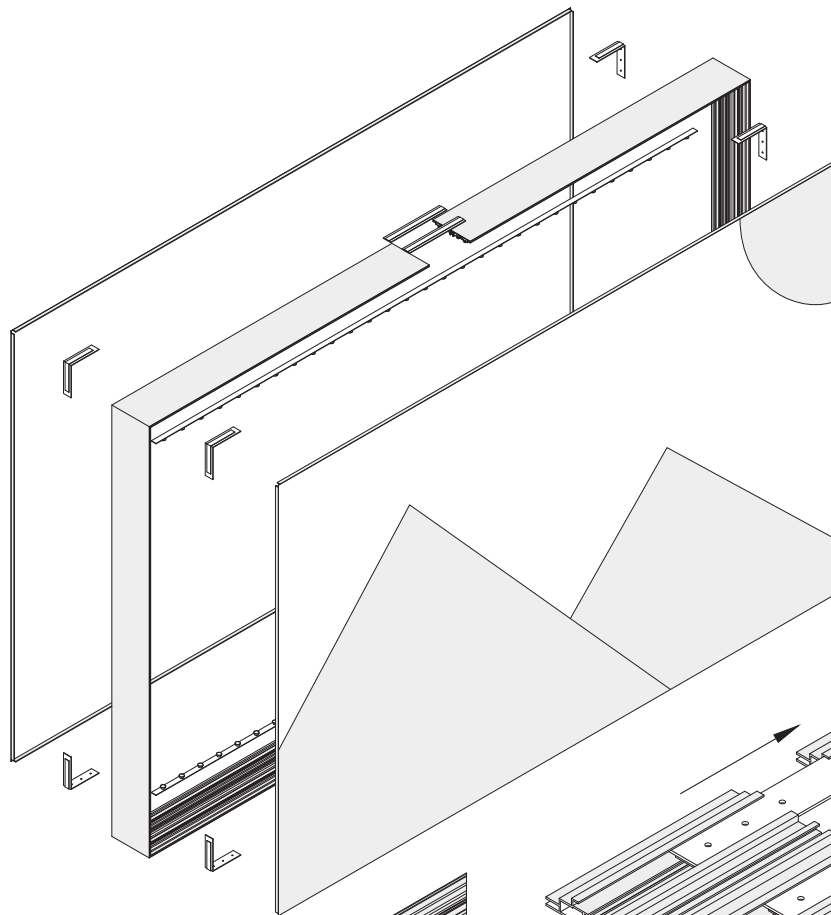


LIGHTBOX 200 is a sidelit lightbox. A strip of self adhesive Power LEDs is affixed to the two longest sides of the aluminium profile and floods the carcass with light to ensure that there is a quality and even spread of illumination onto your printed graphic.



A.14 Lightbox 200

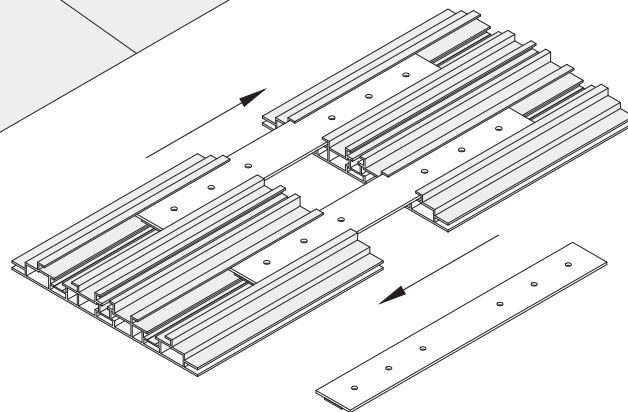
For larger sizes, our 200mm Double sided unit can be supplied in sections for joining together on site. This allows an almost unlimited run of illuminated graphics to be created to stunning effect. Our LIGHTBOX 200 unit works well in numerous in store applications, but its unique freestanding and double sided capabilities make it perfect for creating striking environments in more dimly lit areas of a retail space.



The Peerless lightbox range is an extension of our sister company Assigns' graphic display systems. We utilise their lightbox knowledge and our retail expertise to offer a comprehensive range of both graphic and retail display systems between us.

We are happy to offer our lightboxes with or without printed graphics, and even provide handy guides to ensure a smooth and seamless installation.

'Large sizes possible thanks to the addition of our extension support brackets!'

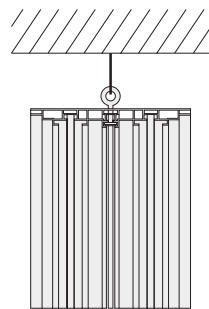
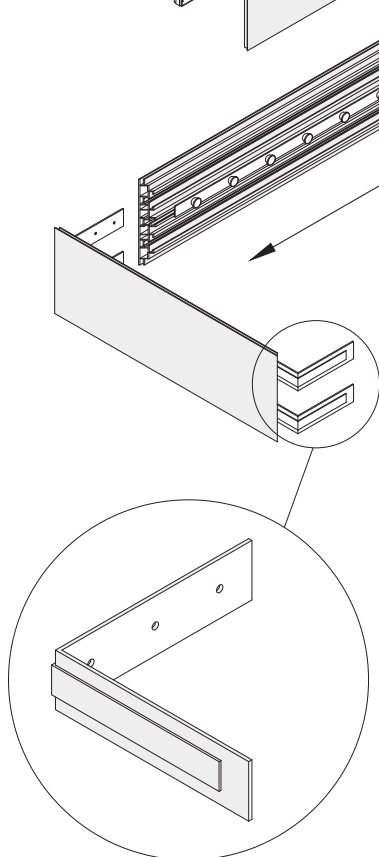


RS.30

RIGHT ANGLE BRACKET
Each frame is delivered with 4 sets of right angle locking brackets

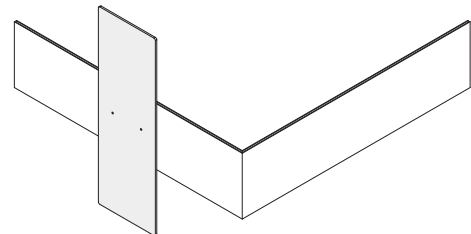
ES.30

EXTENSION SUPPORT BRACKET
These extension sets can be placed in the channels where the frame is cut in half for longer widths or ease of transportation of unit



HS.02

HANGING SUPPORT HOOK
Optional hanging hook designed specifically for lightbox to be suspended from ceiling



BP.60

STEEL BASE PLATE
Steel base plate with fixing holes available in a range of finishes on request to allow lightbox to be freestanding